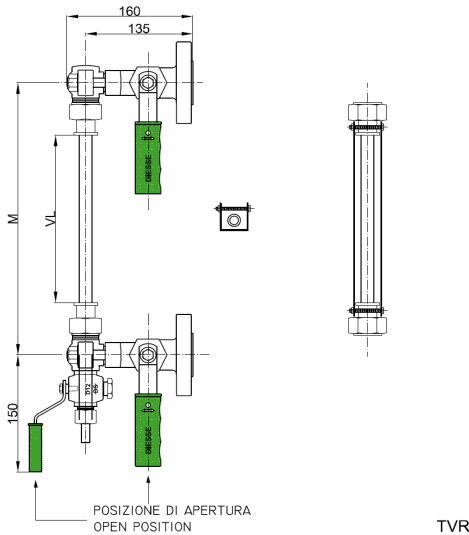


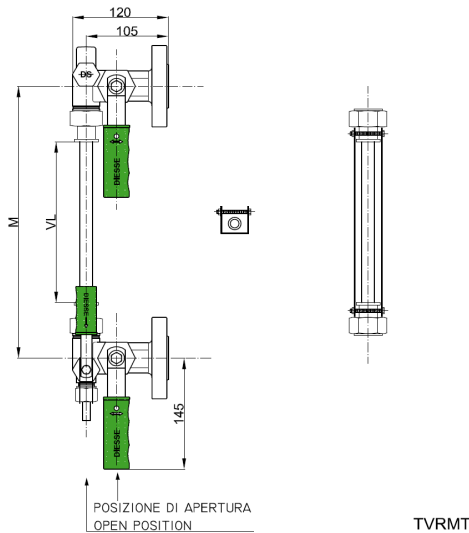
## LEVEL GAUGE WITH GLASS TUBE AND "U" SHAPED PROTECTION

### DS LG - TVR GR18 / MT18

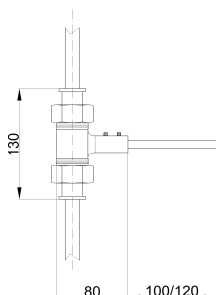
Code: DS LG-TVR... /16/RF-GR18/...-M...-CS/CS



Code: DS LG TVR... /16/RF-MT18/...-M...-CS/CS



MIDDLE TERMINAL  
CODE: MJT



#### Technical data

#### Service conditions

Max Pressure: 5 barg (Max. pressure also function of the length and the temperature)  
Max Temperature: 120°C

#### View

Standard: adjustable on 360° in the installation phase (Rotating the "U" shaped protection)

#### Distance (Centre-to-centre)

On request

Max with a single glass tube 3.000 mm

Option: on request are available distances over 3.000 mm using the middle terminals to connect more glass tubes

#### Visible length [VL]

#### With shut-off cocks DS GR18

- With the "U" shaped protection

Visible length [VL] = Centre-to-centre distance [M] - 135 mm (With extended stuffing box covers to fasten the "U" shaped protection)

- Without protection

Visible length [VL] = Centre-to-centre distance [M] - 95 mm (With standard stuffing box covers)

#### With shut-off cocks DS MT18

- With the "U" shaped protection

Visible length [VL] = Centre-to-centre distance [M] - 145 mm (With extended stuffing box covers to fasten the "U" shaped protection)

- Without protection

Visible length [VL] = Centre-to-centre distance [M] - 105 mm (With standard stuffing box cover)

#### Materials (Standard)

Execution:	CS/CS	SS/CS	SS/SS
Cocks body:	ASTM A105	AISI 316L	AISI 316L
Cocks trim:	AISI 303	AISI 316	AISI 316
Non-wetted parts:	Carbon steel galvanized	Carbon steel galvanized	AISI 316

#### Glass tube

Standard: borosilicate glass 3.3, Ø 16 mm, thickness 2,5 mm

#### Protection for glass tube (Option always recommended)

Standard: metal sheet "U" shaped in stainless steel AISI 304

#### Gaskets

Standard:	Cocks: graphite/copper	Glass sealing: EPDM
Option:	Cocks: graphite/AISI 316	Glass sealing: graphite
	Cocks: PTFE/AISI316	Glass sealing: PTFE

#### Shut-off cocks

DS GR18: cylindrical plug type - Straight type - Quick 90° closing

DS MT18: cylindrical plug type with monolithic body - Straight type - Quick 90° closing

Handling: lever operated with PP handle (Standard: right; Option: left)

#### Process connections:

Standard flanges:	UNI PN16/40 DN15-20-25	ANSI #150/RF DN ½" - ¾" - 1"
Standard threaded unions:	BSP-M ½" - ¾"	NPT-M ½" - ¾"

Options: further connections types or direct connections to the process without cocks (See page 1.49)

**Vent:** Standard: blind

Option: see page 1.50

**Drain:** Standard: cock DS D12 threaded ½"

Option: see page 1.50

#### Accessories

See from page 1.55

#### Weights

Cocks DS GR18: Kg. 7,4 approx. (With flanges UNI DN20 PN40)

Cocks DS MT18: Kg. 6,1 approx. (With flanges UNI DN20 PN40)

#### Spare parts

Glass tube: Length = Centre-to-centre distance [M] - 30 mm

Protection: Length = Centre-to-centre distance [M] - 100 mm

Cocks DS GR18: see from page 1.72

(Drawing with components and parts list see page 1.66)

Cocks DS MT18: see from page 1.64

(Drawing with components and parts list see page 1.67)

#### Utilization

#### The product is NOT suitable for use in the following instances:

- if it is likely to be exposed to vibrations (Glass tube will break)
- if the installation is situated by a walkway (Possibility of blows/impact)
- if exposed to steam (Shortens glass tube life)